

**140**<sub>Kg</sub>  
Weight

**3.200**<sub>L</sub>  
Capacity

**1.280**<sub>Kg</sub>  
Nominal load

**1.180**<sub>mm</sub>  
Loading height



### FEATURES

The body and lid are injection moulded in solid coloured high-density polyethylene.

Manufactured using environmentally-friendly recyclable materials.

No heavy metals in the pigments.

Ideal for different types of waste collection: paper & cardboard, glass, plastics & packaging...

Customisation of body and lid by thermal transfer or silk screen graphic. Maximum area on the body: 400 mm x 300 mm.

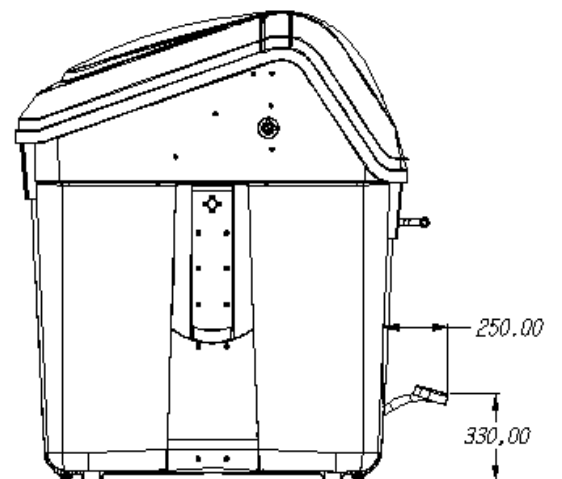
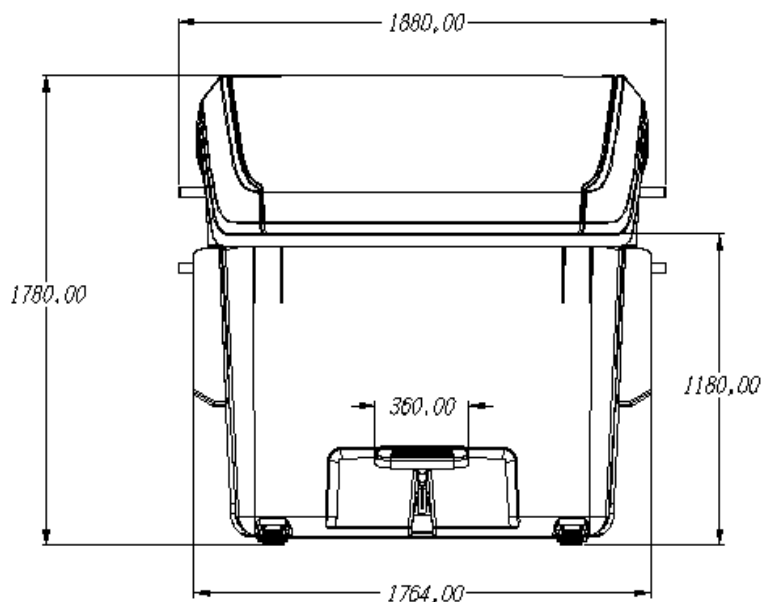
Reduce-height apertures at 1180 mm above the ground, with sizes and features specially designed to accommodate each type of waste.

Lid opens as far as 80 degrees (1524 mm) for waste disposal.

polished surfaces which prevent waste from sticking.

Product approval certificate awarded by TÜV Product Service GmbH in accordance with European regulation EN 12574

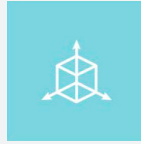
### STANDARDS



### ATRIBUTTES



INNOVATION



DESIGN



ACCESIBILITY

### ACCESSORIES



PLASTIC APERTURE



PAPER APERTURE



REFLECTIVE STRIPS



IDENTIFICATION STRIPS

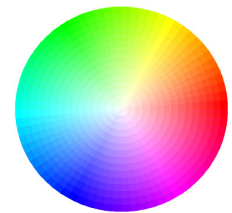


CUSTOMIZATION



PEDAL

AVAILABLE IN A WIDE RANGE OF COLOURS.

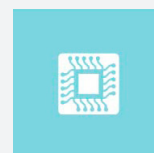


### EQUIPMENT

Reduced-height apertures at 1180 mm above the ground, with sizes and features specially designed to accommodate each type of waste.

Recess for electronic chips.

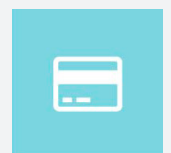
Can be equipped with a range of accessories providing real solutions to every requirement: lid-lifting pedal and lever, RFID chip, shock absorber, reflective strips, access control system, fill control system, temperature control system, alignment system, designed with plenty of space for customization.



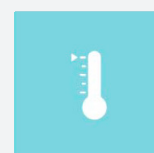
Electronic chip



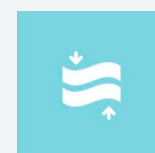
Accessible



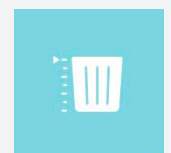
Access control



Temperature control



Alignment system



Fill system control