

135_{Kg}
Weight

2.400_L
Capacity

960_{Kg}
Nominal load

1280_{mm}
Loading height



FEATURES

The body and lid are injection moulded in solid coloured high-density polyethylene.

Manufactured using environmentally-friendly recyclable materials.

No heavy metals in the pigments.

Ideal for different types of waste collection: paper & cardboard, galss, plastics & packaging...

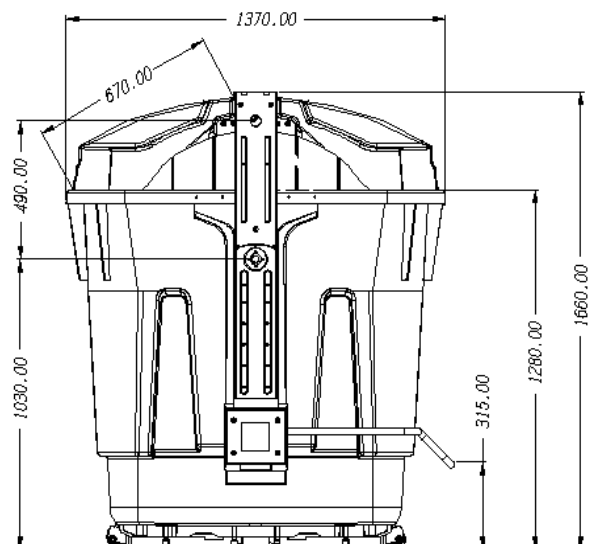
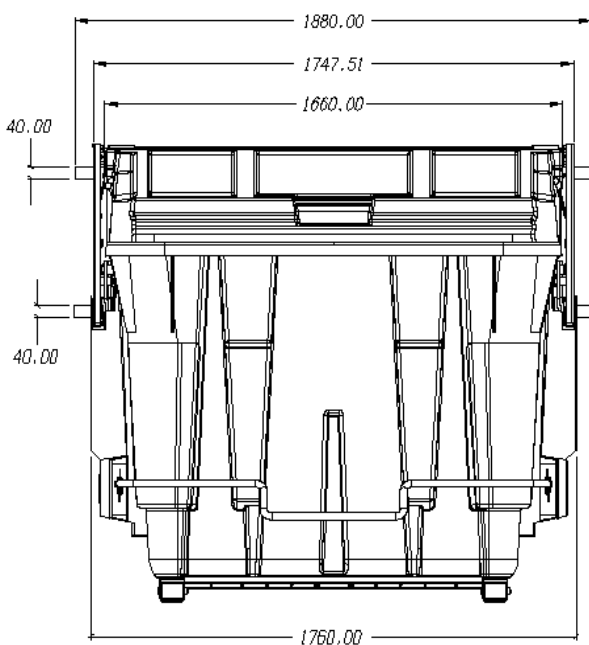
Openings with sizes and features specially designed to accomodate each type of waste.

Customisation of body and lid by thermal transfer or silk screen graphic. Maximun area on the body: 400 mm x 385 mm. On the lid: 280 x 220 mm.

Product Approval Certificate awarded by TÜV Product Service GmbH in accordance with European Regulation EN 12574

CE marking with sound power level shown in accordance with European Directive 2000/14/EC. 75, 6 db.

STANDARDS



ATRIBUTTES



ERGONOMICS



QUALITY



ACCESIBILITY

ACCESSORIES



PLASTIC APERTURE



PAPER APERTURE



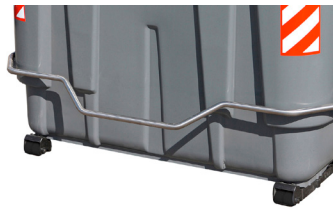
REFLECTIVE STRIPS



LID ON LID

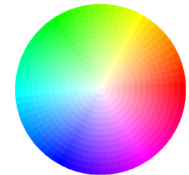


CUSTOMIZATION



PEDAL

Available in a wide range of colours.

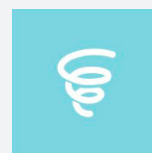


EQUIPMENT

Openings with sizes and features specially designed to accommodate each type of waste.

Recess for electronic chips.

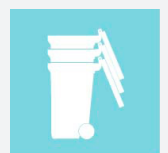
Can be equipped with a range of accessories providing real solutions to every requirement: Pedal-operated lid opening, seal, reflective strips, electronic chip.



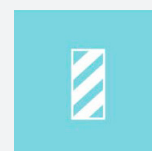
Shock absorber



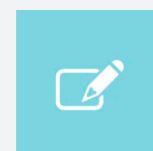
Accessible



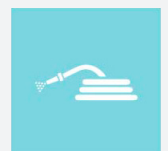
Easy to stack



Reflective strips



Customize



Easy to clean