

**146<sub>Kg</sub>**  
Weight

**3.200<sub>L</sub>**  
Capacity

**1.280<sub>Kg</sub>**  
Nominal load

**1.263<sub>mm</sub>**  
Loading height



### FEATURES

The body and lid are injection moulded in solid coloured high-density polyethylene.

Manufactured using environmentally-friendly recyclable materials.

No heavy metals in the pigments.

Ideal for different types of waste collection: paper & cardboard, glass, plastics & packaging...

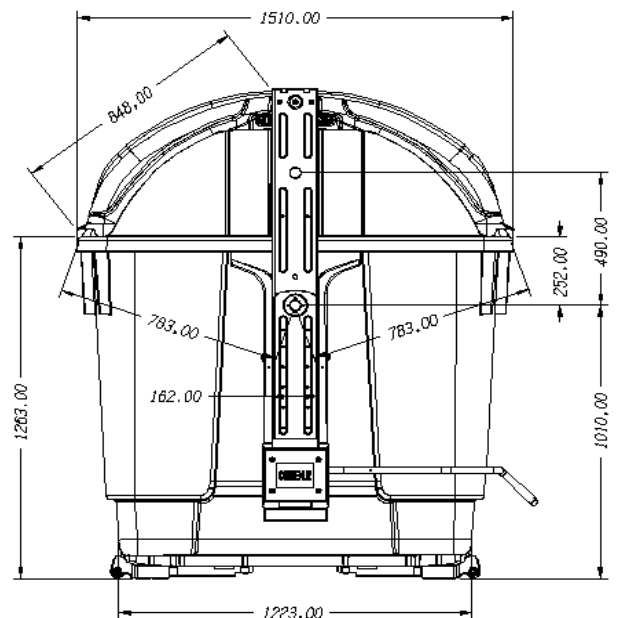
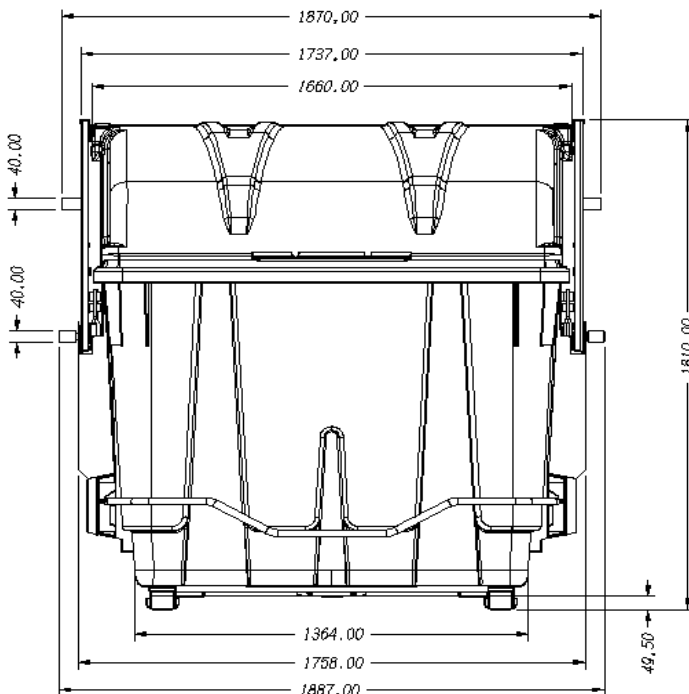
Openings with sizes and features specially designed to accommodate each type of waste.

Customisation of body and lid by thermal transfer or silk screen graphic. Maximum area 400 x 385 mm.

Product Approval Certificate awarded by TÜV Service GmbH in accordance with European Regulation EN 12574.

CE Marking with sound power level shown in accordance with European Directive 2000/14/EC 91 db.

### STANDARDS



### ATRIBUTTES



ERGONOMICS



QUALITY



ACCESIBILITY

### ACCESSORIES



PLASTIC APERTURE



PAPER APERTURE



REFLECTIVE STRIPS



ELECTRONIC CHIP



CUSTOMIZATION



PEDAL

Available in a wide range of colours.

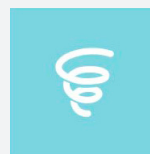


### EQUIPMENT

Openings with sizes and features specially designed to accommodate each type of waste.

Recess for electronic chips.

Can be equipped with a range of accesories providing real solutions to every requirement: pedal operated lid opening, electronic chip, restrictor, reflective strips.



Shock absorber



Accessible



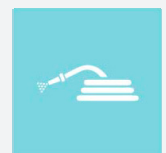
Easy to stack



Reflective strips



Customize



Easy to clean