

180 kg
Glass 188 kg
Weight

2.700L
Capacity

1.080 Kg
Load

1.357 mm
Height of opening

1875 x 1600 x 1600 mm
Maximum dimensions

200, 300 ó 150 x 700 mm
Diameter of opening



FEATURES

2700 litre capacity container for waste collection.

Rotationally-moulded from solid-coloured high density polyethylene and stabilised against the combined effects of UV light and water, it is highly resistant to atmospheric conditions.

Smooth finish with vertical grooves.

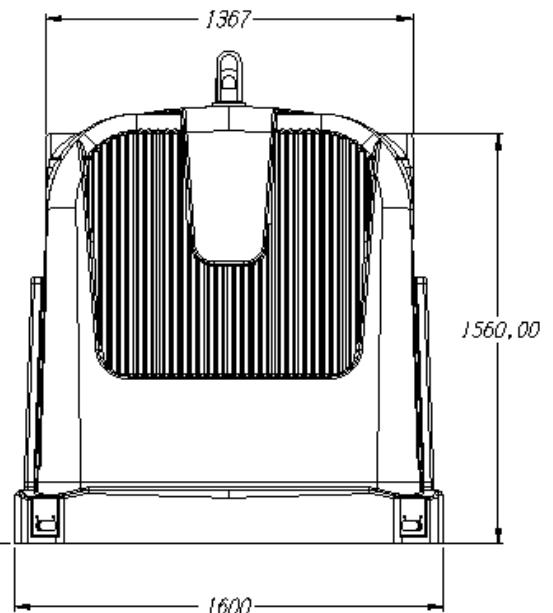
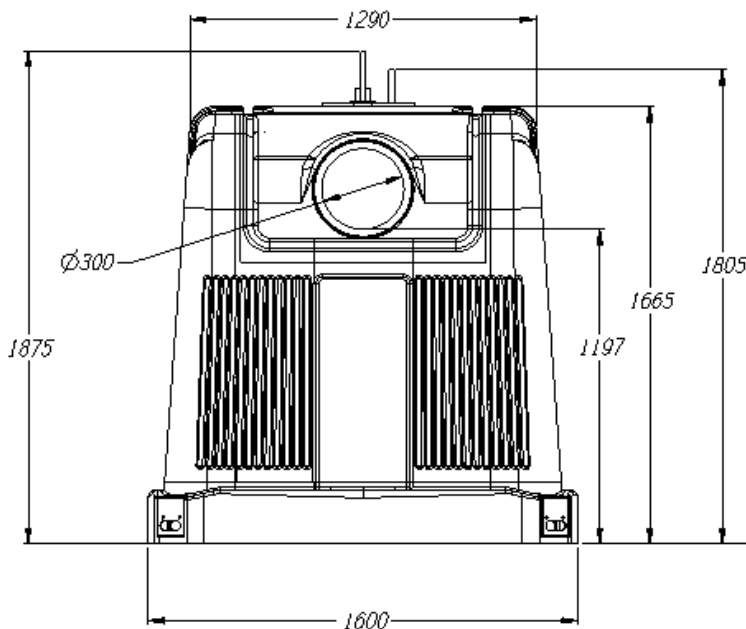
Colour stability.

Total corrosion resistance.

With an exclusively designed Contenur outline brace, making the assembly robust and hard-wearing.

Compliant with European standard EN 13071-1.

STANDARDS



ATTRIBUTES



QUALITY



ACCESSIBILITY



DESIGN



PAPER OPENING



GLASS OPENING

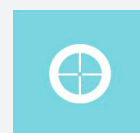
EQUIPMENT

Double hook or Kinshofer vertical lifting system.

Discharge doors manufactured from rotationally-moulded high density polyethylene.

The lifting/ emptying system is corrosion resistant steel and is located within the upper part of the container.

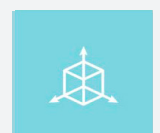
Customisation can be provided upon request, with a 250 x 500 mm silk screen graphic or a 325 x 760 mm embossed logo, personalised colour, reflective strips.



Circular opening



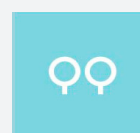
Resistant to atmospheric conditions



Design



Kinshofer



Double hook



Easy emptying