

**140**Kg

Weight

**2.200**L

Capacity

**1.020**Kg

Load

**1.463** mm

**1.200** mm

Height of opening

**1525 x 1385 x 2050**  
mm

Maximum Dimen-  
sions

**150** mm

Diameter of openings



## FEATURES

2.200 litre capacity container for glass collection.

Rotatorially-moulded from solid-coloured high density polyethylene stabilised against the combined effects of UV radiation and water, this container is highly resistant to atmospheric conditions.

Smooth surfaces.

Colour stability.

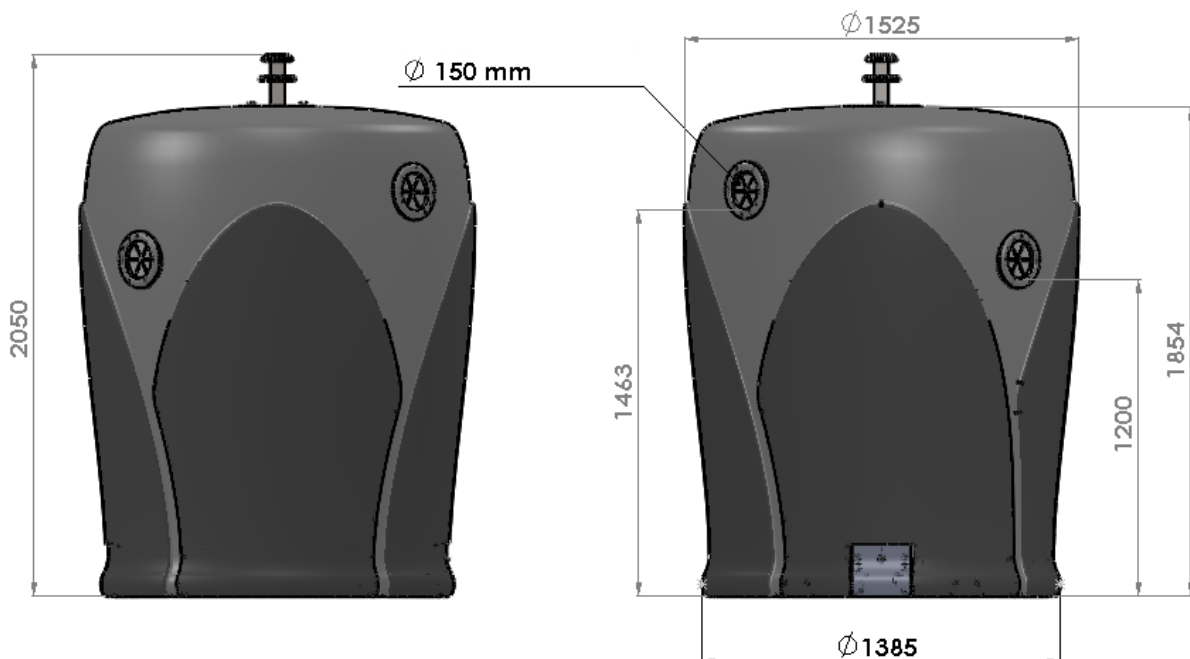
Total corrosion resistance.

Discharge doors manufactured from rotatorially-moulded high density polyethylene.

CE Marking with sound power level shown in accordance with European Directive 2000/14/EC.

Compliant with European standard EN 13071-1.

## STANDARDS



## ATTRIBUTES



DESIGN



ACCESSIBILITY



INNOVATION



## Openings

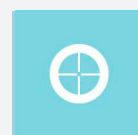
## EQUIPMENT

Double hook or Kinshofer vertical lifting system.

Equipped with 2 standard apertures positioned 1463mm from ground level, and 2 openings, accessible at a reduced height of 1200mm, can also be added. Circular shape, with a diameter of 150mm and rubber insert.

The lifting/ emptying system is corrosion resistant steel and is located on the upper part of the container.

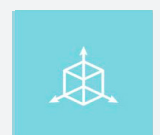
A silk screen graphic or sticker can be supplied on request



Glass opening



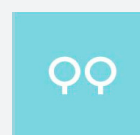
Resistant to atmospheric conditions



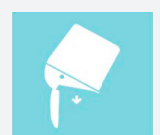
Design



Kinshofer



Doble hook



Easy emptying