

120_{Kg}
Weight

2.500_L
Capacity

625_{Kg}
Load

1.400_{mm}
Height of opening

1870 x 1180 x 1830
mm
Maximum dimensions

205, 250 ó 150 x 410
mm
Diameter of opening



FEATURES

Manufactured from solid-coloured high density linear polyethylene and stabilised against the combined effects of UV radiation and water, it is highly resistant to atmospheric conditions.

Smooth surfaces.

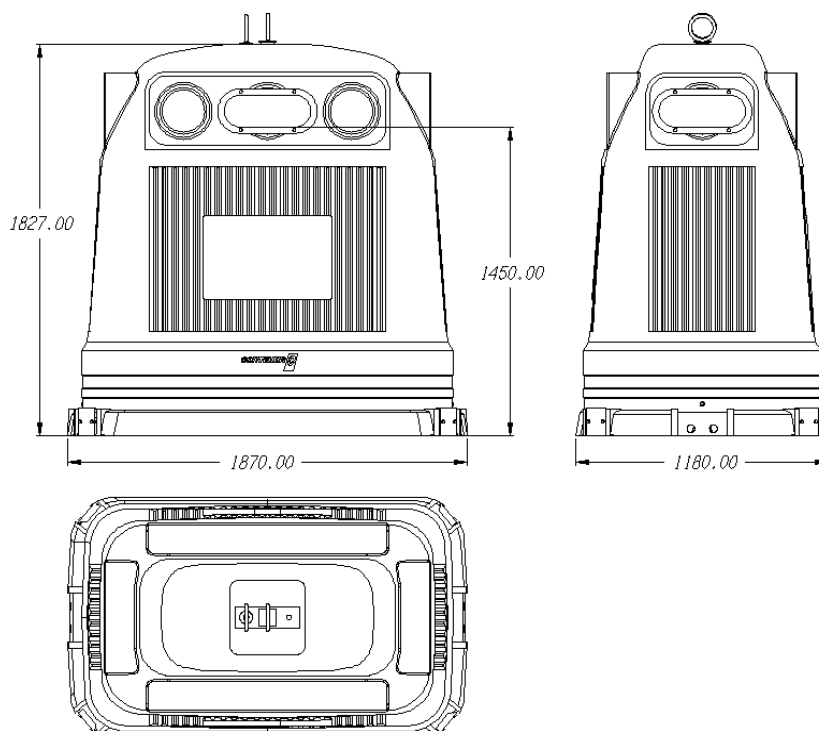
Colour stability.

Total corrosion resistance.

With an exclusively-designed Contenur outline brace, making the assembly robust and hard-wearing.

Customised containers for each type of waste collection: glass, paper, plastics, etc.

STANDARDS



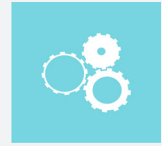
ATTRIBUTES



QUALITY



ACCESSIBILITY



FUNCTIONALITY



AVAILABLE IN A WIDE RANGE
OF COLOURS



EQUIPMENT

Double hook or Kinshofer crane lifting system.

Optimum size apertures to accommodate each type of waste, located at a maximum height of 1.400 mm. from the ground, to facilitate user access. They may be circular (205 or 250 mm) or rectangular (150 x 410 mm), with a reinforced exterior and front overhang to prevent water ingress.

Discharge doors manufactured from rotationally-moulded high density polyethylene.

The lifting/ emptying system is corrosion resistant steel and is located on the upper part of the container.

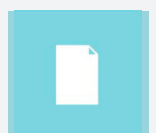
The following items are available upon request: large size apertures with a lock, silk screen graphics incorporated onto the container during the manufacturing process, personalised colour, reflective strips.



Glass opening



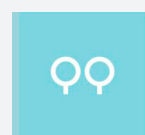
Plastic opening



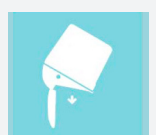
Paper opening



Kinshofer



Double hook



Easy emptying